

AXXAIR

www.axxair.com

V3.5-11-2014

INLINE WELDING

INLINE WELDING



MADE IN FRANCE

GLOBAL PROCESS

www.axxair.com

ø0,25" - ø1,5"
ø6 - ø40 mm

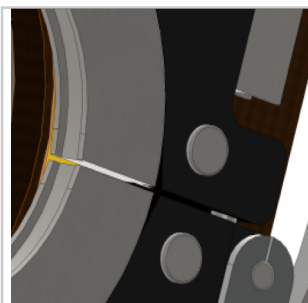


Technical Specifications

- **Water-cooled head**
- Dual-wing opening
- Clamping jaws - **stainless** steel (1 kit per diameter)
- Tungsten electrode specific to diameter
- Motor with coder: **allows for tungsten electrode start-up at all angles**
- **High protection** against start-up without tungsten electrode

Weight: 8.8 kg

- All machines are delivered in their individual case



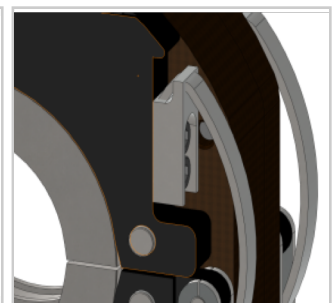
Tool-free jaw fitting



Remote control keypad



Driven by AXXAIR power source (cf compatibility table)



Adjustable spring- loaded system: to account for tube "out of round"

References	Accessories	Consumables
SATF-40ND	SAFS-210 : Wire harness extension 10 M SMN40-XX Clamping jaws Ø in mm	SCE16-XX : Ø 1,6 mm SCE24-XX : Ø 2,4 mm



ø0,25" - ø2,5"
ø6 - ø65 mm

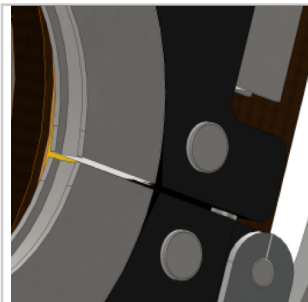


Technical Specifications

- **Water-cooled head**
- Dual-wing opening
- Clamping jaws - **stainless** steel (1 kit per diameter)
- Tungsten electrode specific to diameter
- Motor with coder: **allows for tungsten electrode start-up at all angles**
- **High protection** against start-up without tungsten electrode

Weight: 9.2 kg

- All machines are delivered in their individual case



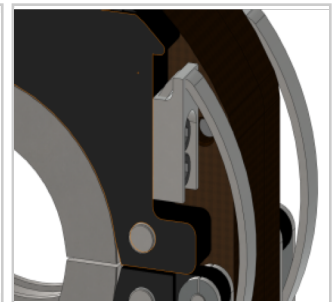
Tool-free jaw fitting



Remote control keypad



Driven by AXXAIR power source (cf compatibility table)



Adjustable spring- loaded system: to account for tube "out of round"

References	Accessories	Consumables
SATF-65ND	SAFS-210 : Wire harness extension 10 M SMN65-XX Clamping jaws Ø in mm	SCE16-XX : Ø 1,6 mm SCE24-XX : Ø 2,4 mm



Ø1" - Ø4,5"
Ø25 - Ø115 mm

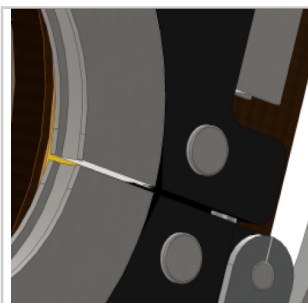


Technical Specifications

- **Water-cooled head**
- Dual-wing opening
- Clamping jaws - stainless steel (1 kit per diameter)
- Tungsten electrode specific to diameter
- Motor with coder: **allows for tungsten electrode start-up at all angles**
- **High protection** against start-up without tungsten electrode

Weight: 9.9 kg

- All machines are delivered in their individual case



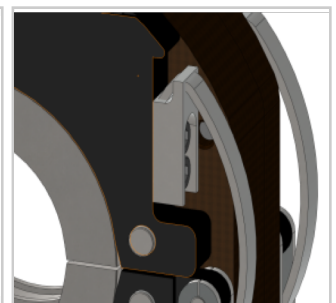
Tool-free jaw fitting



Remote control keypad



Driven by AXXAIR power source (cf compatibility table)



Adjustable spring- loaded system: to account for tube "out of round"

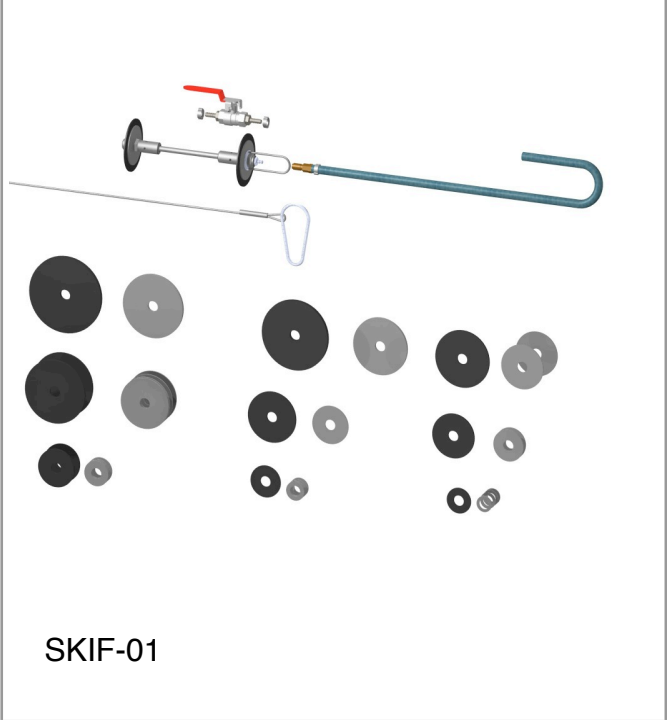
References	Accessories	Consumables
SATF-115ND	SAFS-210 : Wire harness extension 10 M SMN115-XX Clamping jaws Ø in mm	SCE16-XX : Ø 1,6 mm SCE24-XX : Ø 2,4 mm



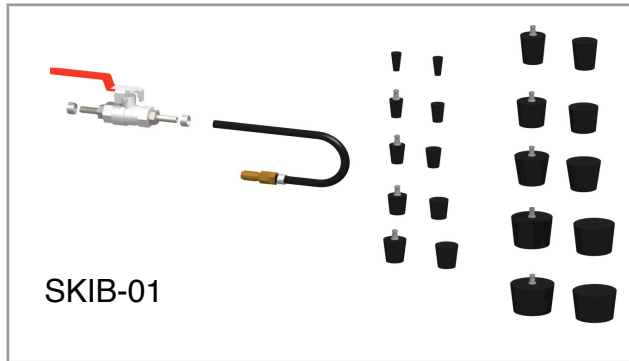
Accessories



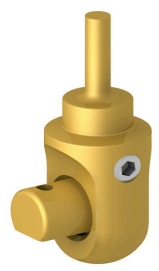
V3.5-11-2014



SKIF-01



SKIB-01



SSED



SMN40-xx
SMN65-xx
SMN115-xx



VAL-CO05

INLINE WELDING

Accessories	Consumables	Options
VAL-CO05 : Protection case for shipping and storage for SAT models (except 220)	SMN40-XX Clamping jaws Ø in mm	SSED-16: offset tungsten electrode support Ø 1.6 mm offset range 4 to 7.5 mm
SAFS-210 : Wire harness extension 10 M	SMN65-XX Clamping jaws Ø in mm	SSED-24: offset tungsten electrode support Ø 2.4 mm offset range 4 to 7.5 mm
SKIB-01: gas protection kit - plugs Ø 6 to 41 mm	SMN115-XX Clamping jaws Ø in mm	
SKIF-01: gas protection kit - membranes Ø 40 to 120 mm		



MADE IN FRANCE

GLOBAL PROCESS

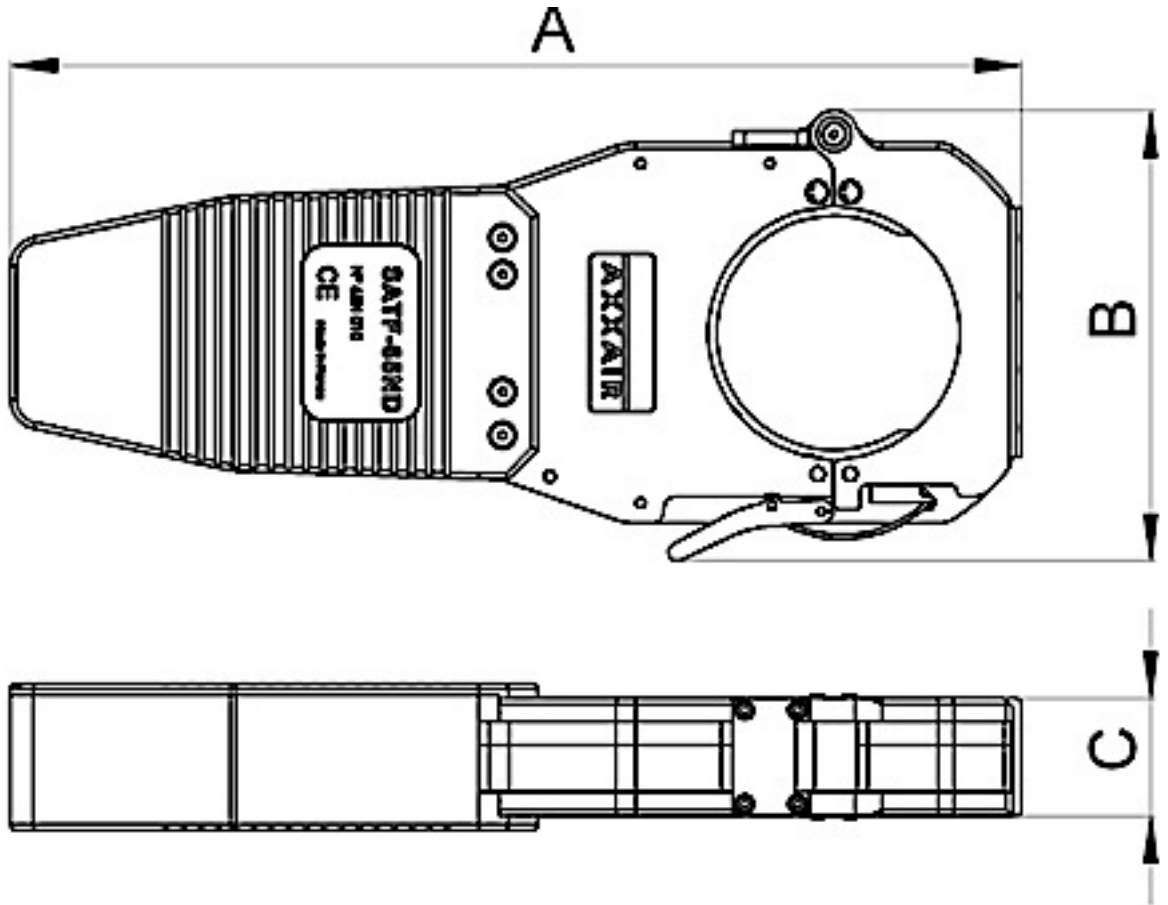
www.axxair.com



Dimensions

AXXAIR

www.axxair.com

V3.5-11-2014



	A mm	B mm	C mm	Ø min	Ø max		
SATF-40ND	316	124	40	6 mm	40 mm	8,8 kg	< 70 dB
SATF-65ND	346	154	40	6 mm	65 mm	9,2 kg	< 70 dB
SATF-115ND	401	218	40	25 mm	115 mm	9,9 kg	< 70 dB

INLINE WELDING

MADE IN FRANCE

GLOBAL PROCESS

www.axxair.com



ø0,4" - ø3"
ø10 - ø80 mm

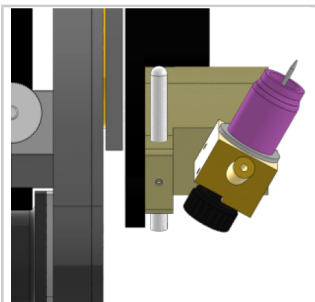


Technical Specifications

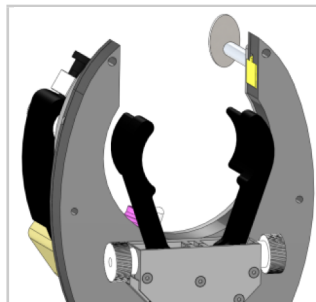
- **Air-cooled head**
- Symmetrical pull-latch fastener clamping
- Motor with coder: allows for tungsten electrode start-up at all angles and a large range of diameters
- Axial tungsten electrode adjustment

Weight: 3 Kg (without harness)

- All machines are delivered in their individual case



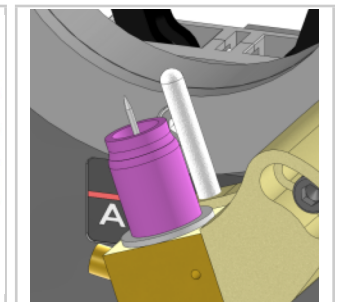
Torch angle adjustment: welding under flange or short T angle



Quick diameter adjustment: symmetrical encircling clamping



Driven by AXXAIR power source (cf compatibility table)



Mechanical profile guide: constant arc voltage

References	Accessories	Consumables
SATO-80M	SKIB-01: gas protection kit - plugs Ø6 to 41 mm SKIF-01: gas protection kit - membranes Ø40 to 120 mm	SCE16-50 : Ø 1,6 mm SCE24-50 : Ø 2,4 mm

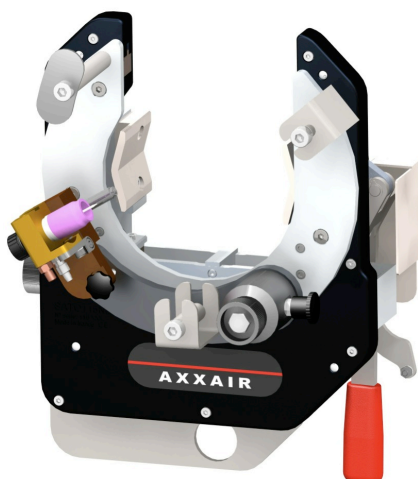


∅0,625" - ∅4,5"
∅19 - ∅115 mm

AXXAIR

www.axxair.com

V3.5-11-2014



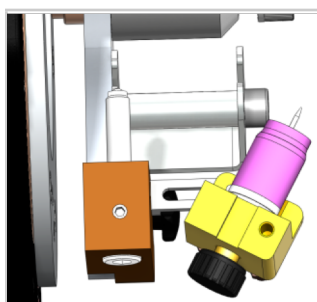
Technical Specifications

Water-cooled head

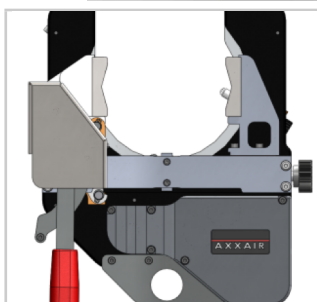
- 200 A, 100%
- Clamping jaws - stainless steel
- Motor with coder: allows for tungsten electrode start-up at all angles and a wide range of diameters
- **Axial adjusting screw**

Weight: 7.5 kg

- All machines are delivered in their individual case



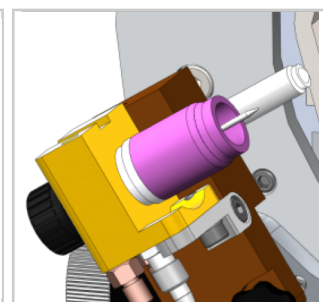
Torch angle adjustment: welding under flange or short T angle



Quick diameter adjustment: powerful symmetrical clamping



Driven by AXXAIR power source (cf compatibility table)



Mechanical profile guide: constant arc voltage

References	Accessories	Consumables
SATO-115NDA	<p>SAFS-210 : Wire harness extension 10 M Except with AVC/OSC/ WIRE</p> <p>SKIB-01: gas protection kit - plugs ∅6 to 41 mm</p> <p>SKIF-01: gas protection kit - membranes ∅40 to 120 mm</p> <p>SADFP-01: wire guide for open heads</p> <p>SKTO-03 : Exchange kit for open head torch diam 1.6 and 2.4mm</p>	<p>SCE16-50 : ∅ 1,6 mm</p> <p>SCE24-50 : ∅ 2,4 mm</p>



ø1" - ø6,625"
ø25 - ø170 mm



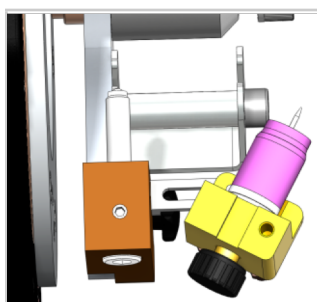
Technical Specifications

Water-cooled head

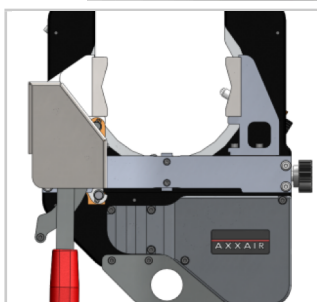
- 200 A, 100%
- Clamping jaws - stainless steel
- Motor with coder: allows for tungsten electrode start-up at all angles and a wide range of diameters
- **Axial adjusting screw**

Weight: 9 kg

- All machines are delivered in their individual case



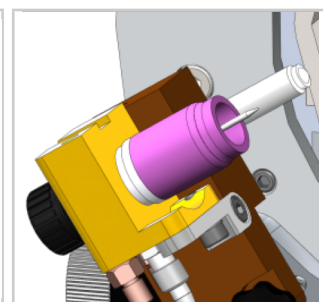
Torch angle adjustment: welding under flange or short T angle



Quick diameter adjustment: powerful symmetrical clamping



Driven by AXXAIR power source (cf compatibility table)

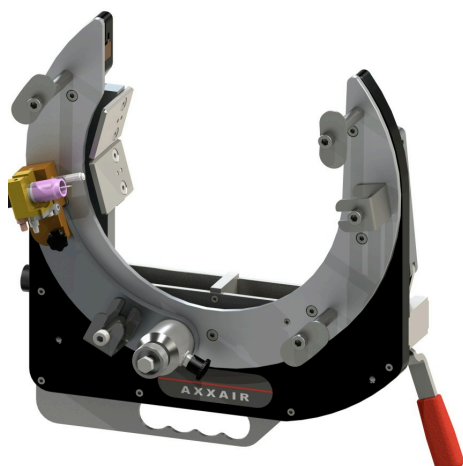


Mechanical profile guide: constant arc voltage

References	Accessories	Consumables
SATO-170NDA	<p>SAFS-210 : Wire harness extension 10 M Except with AVC/OSC/ WIRE</p> <p>SKIB-01: gas protection kit - plugs Ø6 to 41 mm</p> <p>SKIF-01: gas protection kit - membranes Ø40 to 120 mm</p> <p>SADFP-01: wire guide for open heads</p> <p>SKTO-03 : Exchange kit for open head torch diam 1.6 and 2.4mm</p>	<p>SCE16-50 : Ø 1,6 mm</p> <p>SCE24-50 : Ø 2,4 mm</p>



ø1,5" - ø8,625"
ø38 - ø220 mm

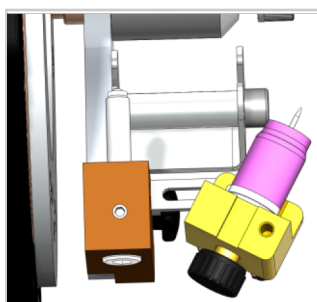


Technical Specifications

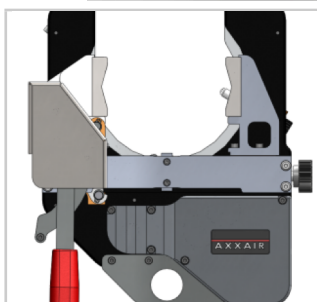
- **Water-cooled head**
- 200 A, 100%
- Clamping jaws - stainless steel
- Motor with coder: allows for tungsten electrode start-up at all angles and a wide range of diameters
- **Axial adjusting screw**

Weight: 11 kg

- All machines are delivered in their individual case



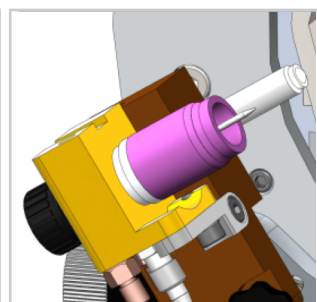
Torch angle adjustment: welding under flange or short T angle



Quick diameter adjustment: powerful symmetrical clamping



Driven by AXXAIR power source (cf compatibility table)



Mechanical profile guide: constant arc voltage

References	Accessories	Consumables
SATO-220NDA	<p>SAFS-210 : Wire harness extension 10 M Except with AVC/OSC/ WIRE</p> <p>SKIB-01: gas protection kit - plugs Ø6 to 41 mm</p> <p>SKIF-01: gas protection kit - membranes Ø40 to 120 mm</p> <p>SADFP-01: wire guide for open heads</p> <p>SKTO-03 : Exchange kit for open head torch diam 1.6 and 2.4mm</p>	<p>SCE16-50 : Ø 1,6 mm</p> <p>SCE24-50 : Ø 2,4 mm</p>

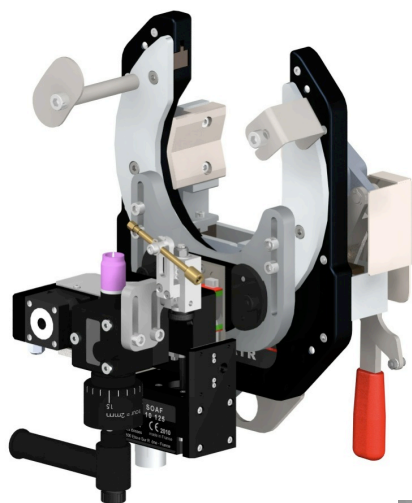


ø0,625" - ø4,5"
ø19 - ø115 mm

AXXAIR

www.axxair.com

V3.5-11-2014

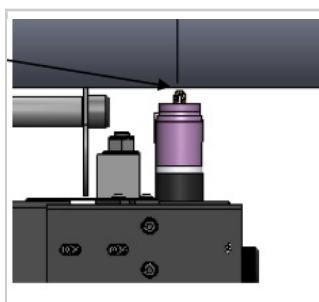


Technical Specifications

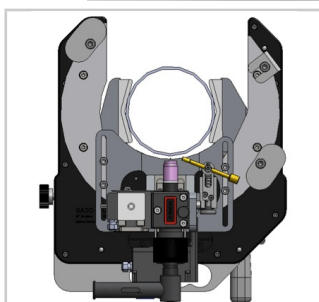
- **Water cooled head**
- 200A, 100%
- Thick tube multiple pass welding
- Fitted with AVC/OSC module
- Axes controlled by encoder
- Oscillation range: 20 mm
- AVC range: 20 mm
- Three-dimensional adjustment for welding wire
- **Axial adjusting screw**

Weight : 8,8 kg

- All machines are delivered in their individual case



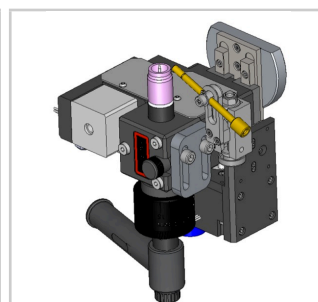
Oscillation range: 20 mm
AVC range: 20 mm
V max : 15mm/s



Quick diameter adjustment:
symmetrical encircling
clamping



Driven by AXXAIR power
source (cf compatibility
table)

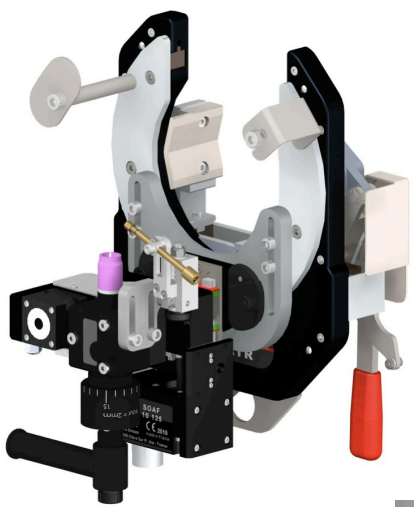


SAOF module compatible
with prefab machines

References	Accessories	Consumables
SATO-115NAOA	SKIB-01: gas protection kit - plugs Ø6 to 41 mm SKIF-01: gas protection kit - membranes Ø40 to 120 mm	SCE16-50 : Ø 1,6 mm SCE24-50 : Ø 2,4 mm



ø1" - ø6,625"
ø25 - ø170 mm

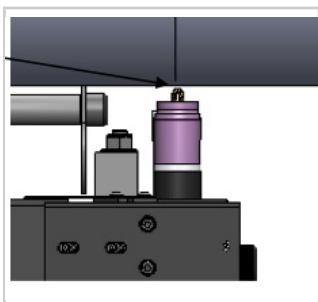


Technical Specifications

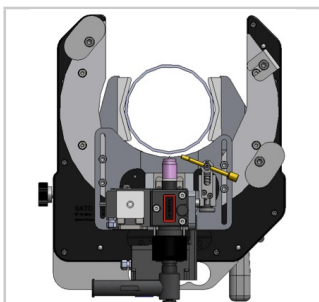
- **Water cooled head**
- 200A, 100%
- Thick tube multiple pass welding
- Fitted with AVC/OSC module
- Axes controlled by encoder
- Oscillation range: 20 mm
- AVC range: 20 mm
- Three-dimensional adjustment for welding wire
- **Axial adjusting screw**

Weight : 10 kg

- All machines are delivered in their individual case



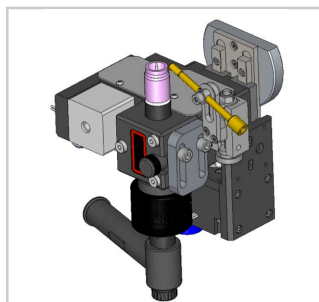
Oscillation range: 20 mm
AVC range: 20 mm
V max : 15mm/s



Quick diameter adjustment:
symmetrical encircling
clamping



Driven by AXXAIR power
source (cf compatibility
table)



SAOF module compatible
with prefab machines

References	Accessories	Consumables
SATO-170NAOA	SKIB-01: gas protection kit - plugs Ø6 to 41 mm SKIF-01: gas protection kit - membranes Ø40 to 120 mm	SCE16-50 : Ø 1,6 mm SCE24-50 : Ø 2,4 mm



ø1,5" to ø8,625"
ø38 - ø220 mm

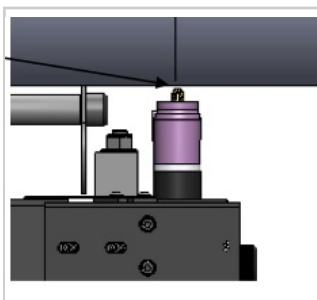


Technical Specifications

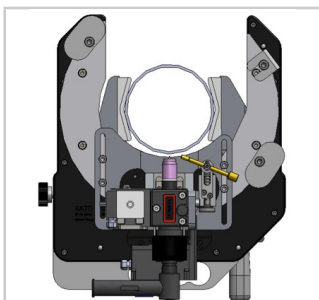
- **Water cooled head**
- 200A, 100%
- Thick tube multiple pass welding
- Fitted with AVC/OSC module
- Axes controlled by encoder
- Oscillation range: 20 mm
- AVC range: 20 mm
- Three-dimensional adjustment for welding wire
- **Axial adjusting screw**

Weight : 13 kg

- All machines are delivered in their individual case



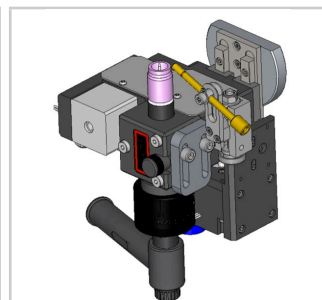
Oscillation range: 20 mm
AVC range: 20 mm
V max : 15mm/s



Quick diameter adjustment:
symmetrical encircling
clamping



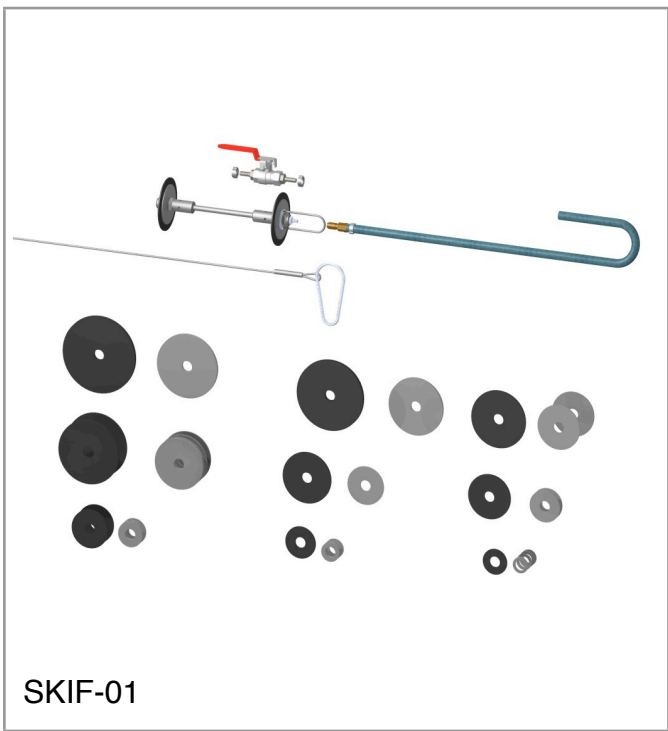
Driven by AXXAIR power
source (cf compatibility
table)



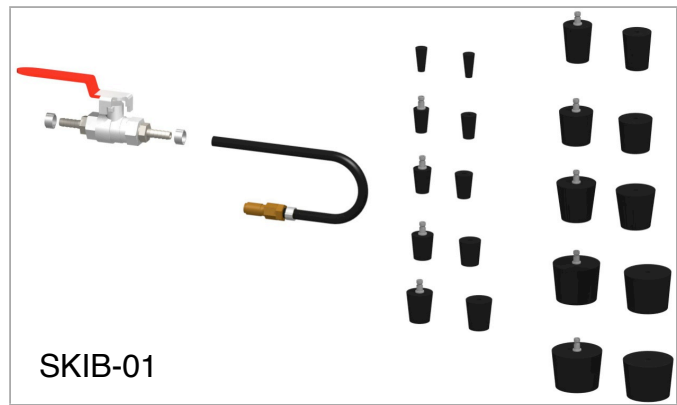
SAOF module compatible
with prefab machines

References	Accessories	Consumables
SATO-220NAOA	SKIB-01: gas protection kit - plugs Ø6 to 41 mm SKIF-01: gas protection kit - membranes Ø40 to 120 mm	SCE16-50 : Ø 1,6 mm SCE24-50 : Ø 2,4 mm

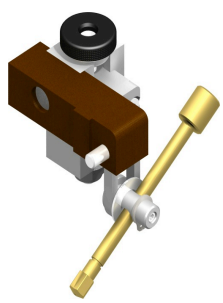




SKIF-01



SKIB-01



SADFP-01



SADF2



VAL-CO06

Accessories

VAL-CO06 : Protection case for shipping and storage for NAOA and 220 models

SKIB-01: gas protection kit - plugs Ø 6 to 41 mm

SKIF-01: gas protection kit - membranes Ø 40 to 120 mm

SAFS-210 : Wire harness extension 10 M Except with AVC/OSC/ WIRE

SKTO-03 : Exchange kit for open head torch diam 1.6 and 2.4mm

Options

SADF-2: wire feeder for SC and SATO (without wire spool)

SADFP-01: wire guide for open heads

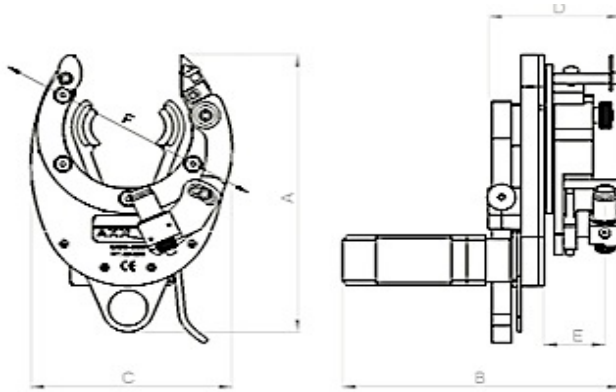


Dimensions

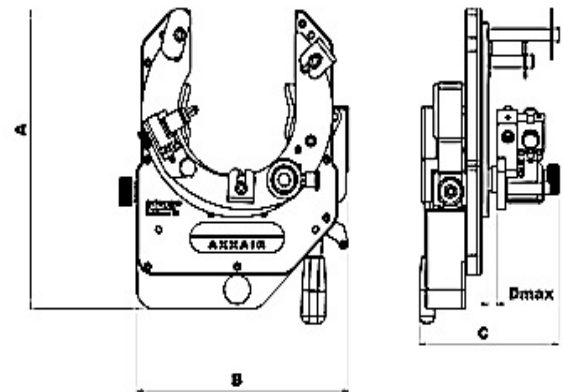
AXXAIR

www.axxair.com

V3.5-11-2014



	A mm	B mm	C mm	D mm	E mm	F mm	∅ min	∅ max		
SATO - 80M	233	216	150	100	40 44	210	10 mm	80 mm	3 kg	<70dB



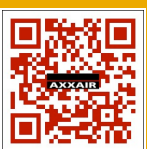
	A mm	B mm	C mm	D mm	∅ min	∅ max		
SATO-115NDA	309	262	160	10	19 mm	115 mm	7,5 kg	<70dB
SATO-170NDA	349	321	160	10	25 mm	170 mm	9 kg	<70dB
SATO-220NDA	390	350	184	10	38 Mm	220 mm	11 kg	<70dB

INLINE WELDING

MADE IN FRANCE

GLOBAL PROCESS

www.axxair.com

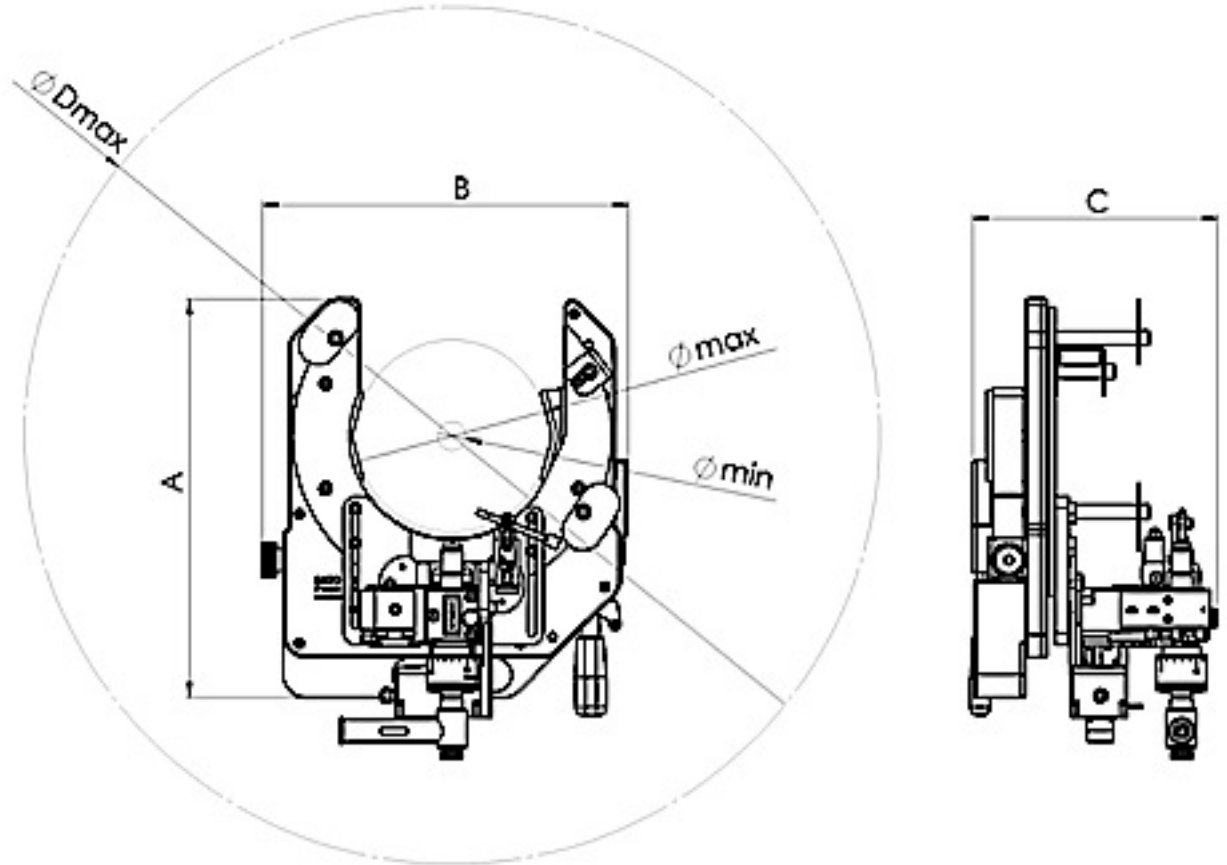




Dimensions

AXXAIR

www.axxair.com

V3.5-11-2014



	A mm	B mm	C mm	$\varnothing D$ max	\varnothing_{min}	\varnothing_{max}		
SATO - 115NAOA	309	262	194↔219	680 mm	19 mm	115 mm	8.8 kg	<70dB
SATO - 170NAOA	349	321	194↔219	750 mm	25 mm	170 mm	10 kg	<70dB
SATO- 220NAOA	389	350	219↔244	800 mm	38 mm	220 mm	13 kg	<70dB

INLINE WELDING

MADE IN FRANCE

GLOBAL PROCESS

www.axxair.com

